

# MIX SWITCH ACTUATOR

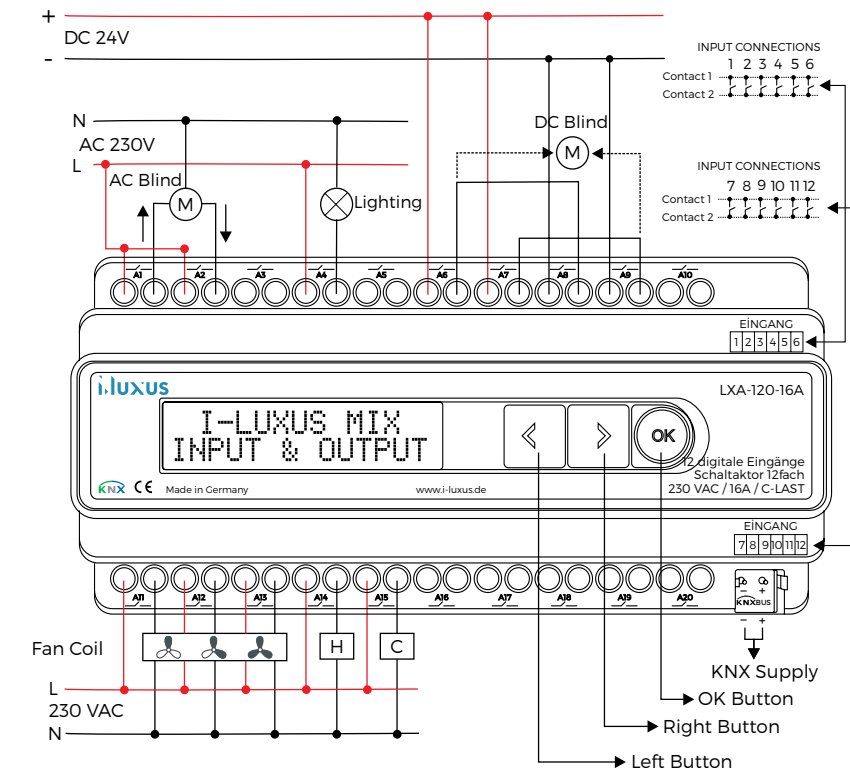


## CONNECTION DIAGRAM



## GENERAL FEATURES

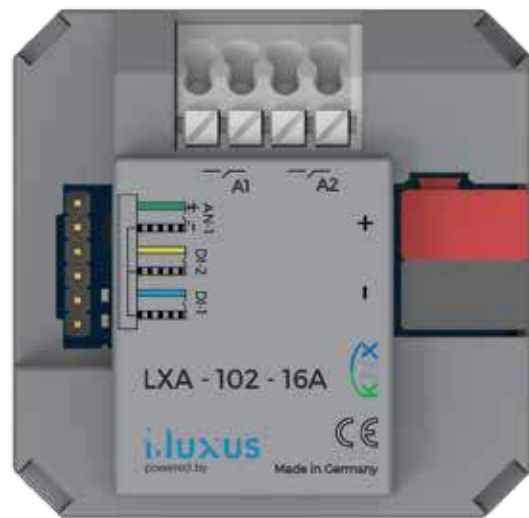
- ▶ 12 Input channels
- ▶ 12 Output channels for LXA - 112 - 16A
- ▶ 20 Output channels for LXA - 120 - 16A
- ▶ Lighting functions
- ▶ Shutter / Blind functions
- ▶ (AC 230V and DC 24V motor control)
- ▶ Fan coil functions for 2 pipes and 4 pipes systems
- ▶ Heating / Cooling functions can be selected for fan coil outputs



## TECHNICAL DATA

Product Detail	Mix Actuators With 12 Digital Inputs
Operating Mode	KNX Bus System
Current Consumption	<10 mA
Outputs	12 / 20 Outputs - AC 230V: @50/60 Hz - 16A, 102A Inrush
Inputs	12 binary inputs - State Dry contact - Voltage DC 3,3V Pulsed
Operating Element	Character LCD with 3 Buttons
Width inspace unit	10 DIN Module (1 Module = 18 mm)
Dimensions / Weight	L:67 x W:180 x H:90 mm - 578g
Certification / Standarts	KNX Certified / EN50491

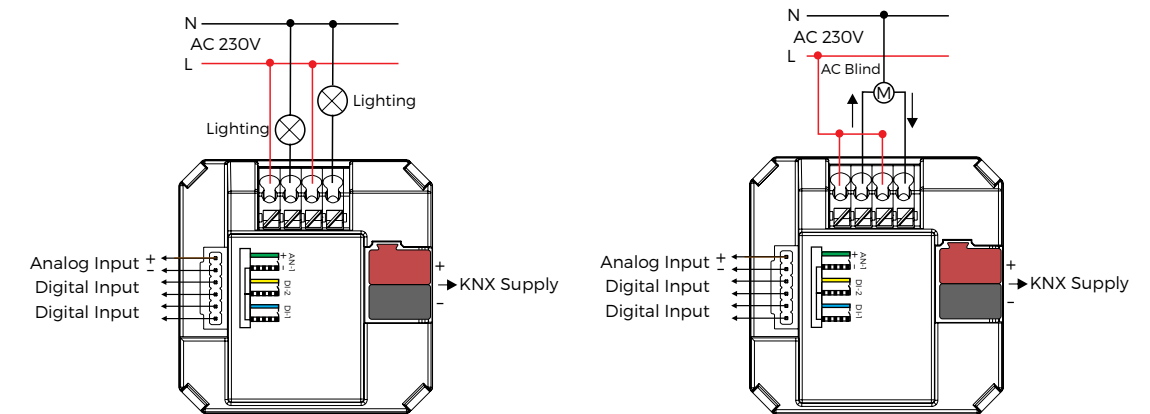
# FLUSH MOUNTED ACTUATOR



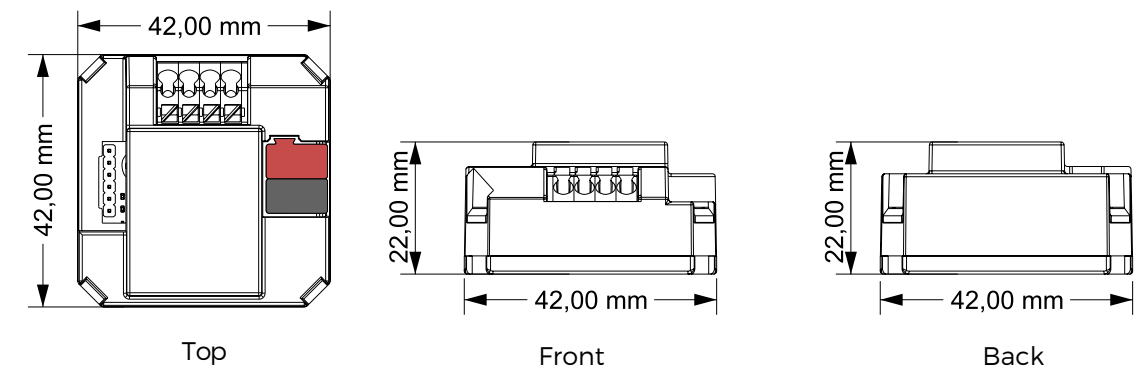
## GENERAL FEATURES

- ▶ 2 Relay Outputs (16A, 230VAC @50-60 Hz)
- ▶ 2 Digital (Dry Contact) Inputs
- ▶ 1 Analog Input
- ▶ Easy Installation to Flush Mounted Box
- ▶ Connection with colorful connection cables
- ▶ Lighting Function, Shutter&Blind Function
- ▶ Heating Function, Logic Function, Timing Function
- ▶ Data Type Converter Function
- ▶ Scene Function

## CONNECTION DIAGRAM



## SCALE DRAWINGS



## TECHNICAL DATA

Product Detail	KNX Flush Mounted Actuator With Two Digital Inputs and One Analog Input
Main Voltage	KNX Bus System, no auxiliary supply
Outputs	2 Relay Outputs (16A, 102A Inrush Current, 230VAC @50-60 Hz)
Digital Inputs	2 Binary Inputs
Analog Input	PT1000, DC 0-10V
Operating Elements	Programming LED and button
Dimension / Weight	L:42mm W:42mm H:22mm / 34g with cables
Certification / Standarts	KNX Certified / EN50491