

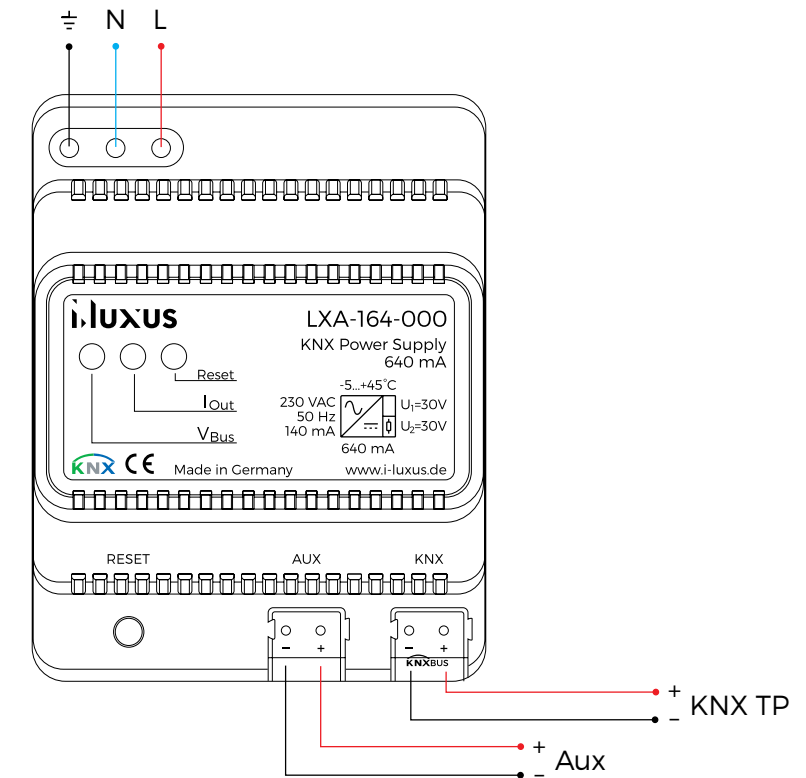
POWER SUPPLY



GENERAL FEATURES

- ▶ 640 mA output current
- ▶ Operating AC 150V – 275V @50-60 Hz
- ▶ 2 Power Outputs:
 - Output 1: Integrated KNX Choke (DC 30V, SELV)
 - Output 2: External Auxiliary Supply Output (30V, SELV)
- ▶ Short Circuit Protection for both outputs
- ▶ Overload Protection for both outputs

CONNECTION DIAGRAM



TECHNICAL DATA

Product Detail	KNX Power Supply 640 mA
Main Voltage	AC 230V ±15 % @ 50 Hz
Power Output	KNX Output Voltage - 28 ... 31 VDC (SELV) AUX Output Voltage - 28 ... 31 VDC (SELV) Max. Current - 640 mA
Operating Element	Reset Button - Left LED (Green) - Middle LED (Red) - Right LED (Red)
Width in space unit	4 DIN Module (1 Module = 18 mm)
Dimensions / Weight	L:70 W:70 H:90 mm / 206 g
Certification / Standards	KNX Certified / (EN50491-5-1/-2/-3)(EN50581)(EN61000-6-2/-3)(EN61558-1/-2-6)