

AC KNX GATEWAY



LXG-MEG



LXG-DKN

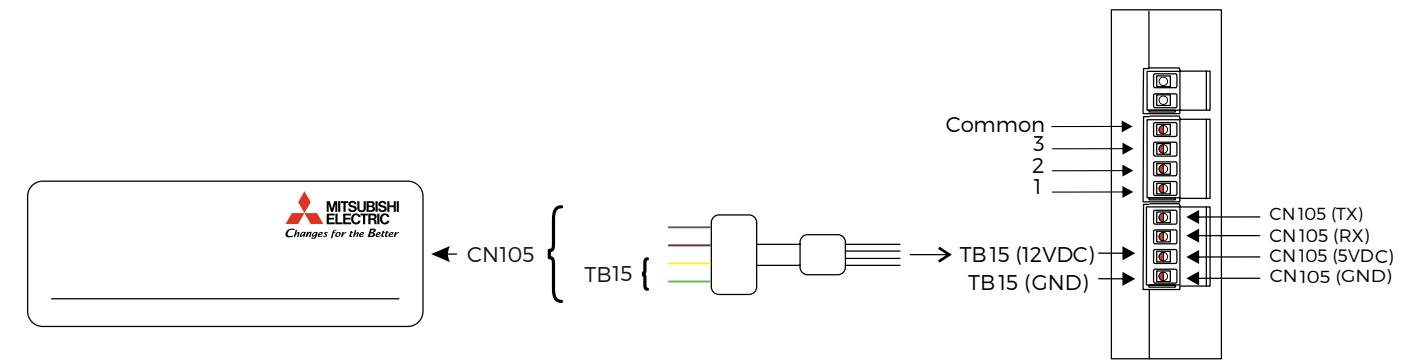


LXG-SMG

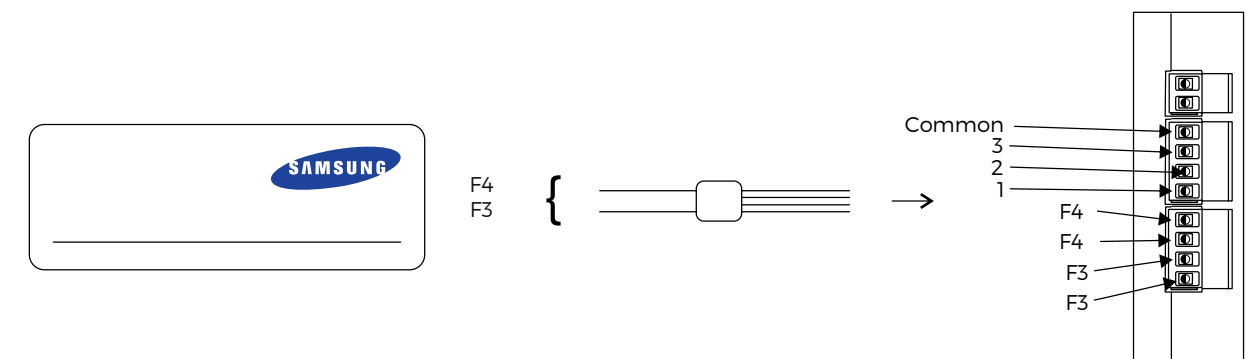
GENERAL FEATURES

- ▶ Control of the main functions of the air conditioning unit: On/Off, operating mode, temperature control, fan level control, vane position control.
- ▶ External temperature sensor input.
- ▶ 3 digital inputs that can be integrated into the KNX bus line.
- ▶ Possibility to control with 10 different scenarios.
- ▶ Energy saver functions.
- ▶ 10 additional functions and each has 7 customizable logic functions, 4 arithmetic operation, 6 different comparison operations, 3 data type conversion.

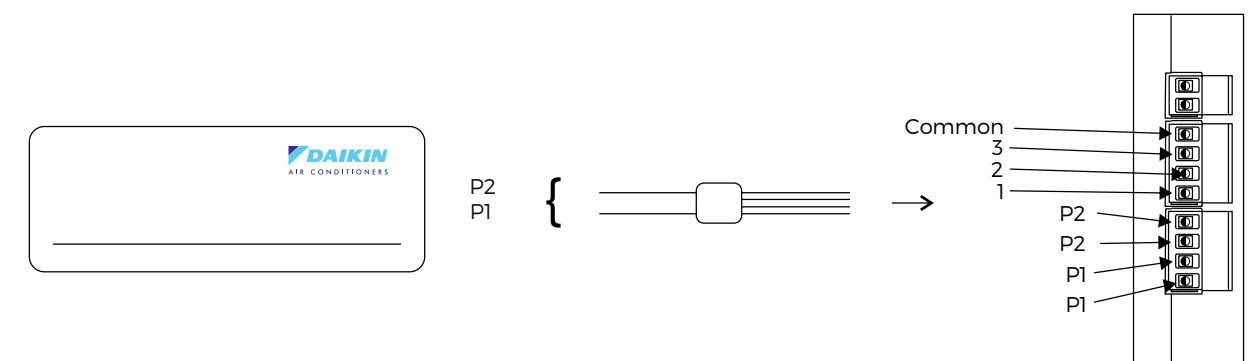
CONNECTION DIAGRAM



LXG-MEG-001 device provides two-way communication between Daikin VRV AC - KNX bus.



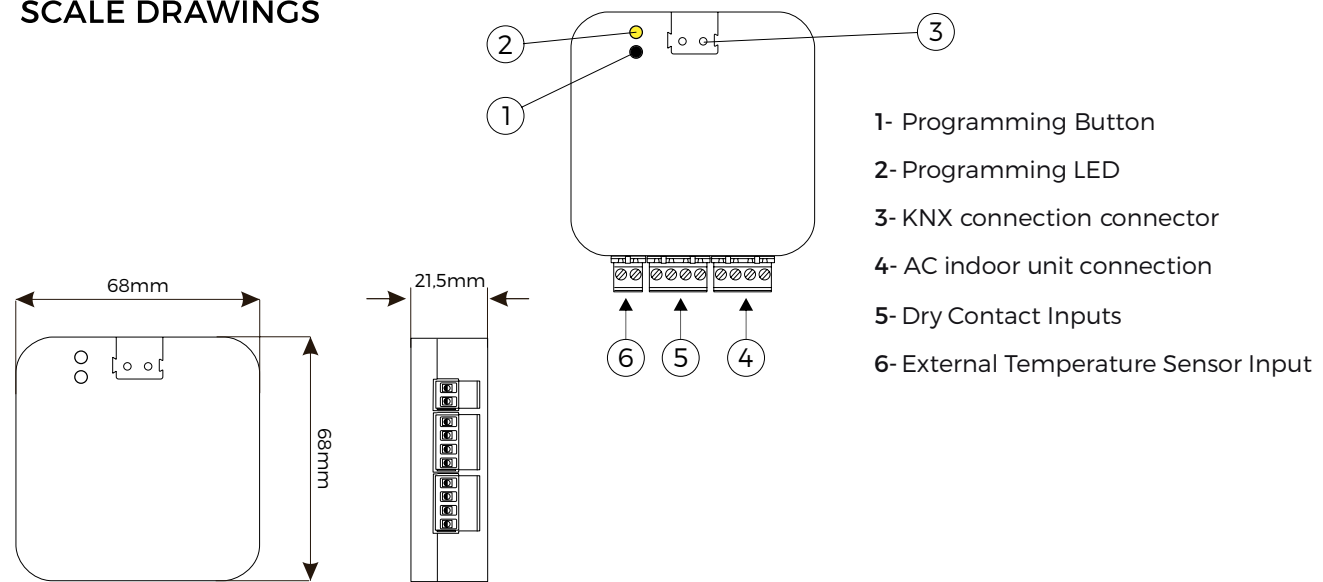
LXG-SMG device provides two-way communication between Samsung AC - KNX bus.



LXG-DKN-001 device provides two-way communication between Daikin VRV AC - KNX bus.

AC KNX GATEWAY

SCALE DRAWINGS



TECHNICAL DATA

Devices	LXG-DKN, LXG-SMG, LXG-MEG
Power Supply	EIB Power Supply
Current Consumption	10 mA, 3 Dry Contact Inputs
Button	1 KNX Programming Button
LED Indicator	1 KNX Programming LED
Protection Type	IP 20
Maximum Humidity	< 90 RH
Operating Temperature	Working (-10°C - 70°C), Storage (-25°C - 90°C)
Dimensions	68x21.5x68 mm (WxHxD)